

Element, Affordable Ambiance

- The **best value** for the entry-level home market
- True **36" and 42" brick-to-brick openings**
- **Convenient ash lip** helps reduce ash spillage into the room
- **Radiant design** allows finishing materials to be brought to the edge of the opening, creating a contemporary look with no grille and minimal exposed metal
- **User-friendly front damper handle** that locks into both open and closed positions
- SL300 Series venting
- A hearth extension is required
- Tested and listed to **UL safety standards**
- Covered by Heatilator Warranty**

Options*

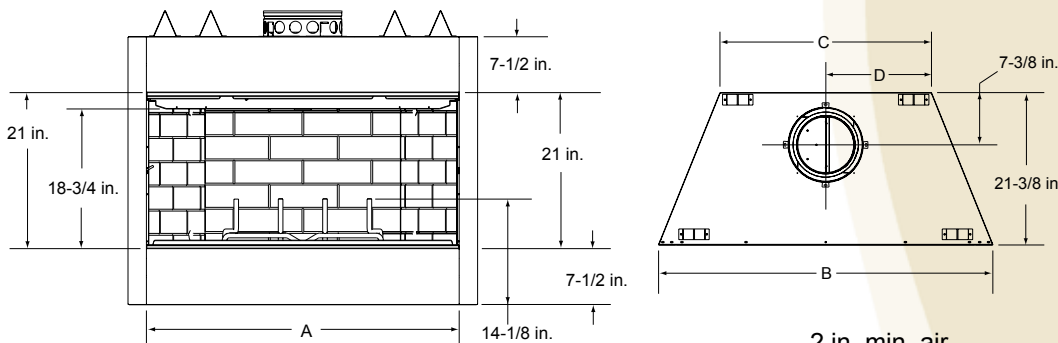


DM Doors



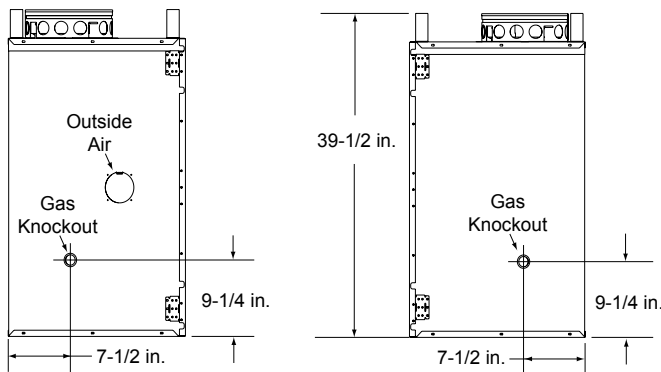
Fireside Gas Logs

Product Dimensions

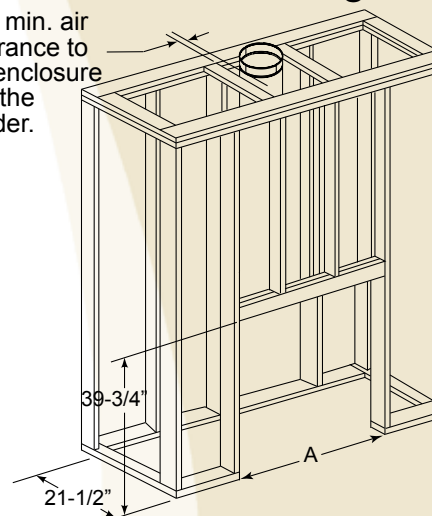


PRODUCT DIMENSIONS				
	A	B	C	D
EL36	36"	41"	23-3/4"	11-7/8"
EL42	42"	47"	29-3/4"	14-7/8"

Framing Dimensions



2 in. min. air clearance to the enclosure and the header.



FRAMING DIMENSIONS	
	A
EL36	42"
EL42	48"

AVAILABLE FROM

heatilator

The first name in fireplaces

a brand of Hearth & Home Technologies Inc.

1915 West Saunders Street • Mt. Pleasant, Iowa 52641

800-927-6841 • heatilator.com

The information provided in this literature is for planning purposes only. Please consult the installation manual for actual installation.

*Please consult the MSRP book for a complete list of optional accessories. Photo on cover shown with gas logs, Fairfield mantel and green granite.

**For full warranty details go to www.heatilator.com

HTL-1020U-1108



Element

Woodburning Fireplace

heatilator
The first name in fireplaces